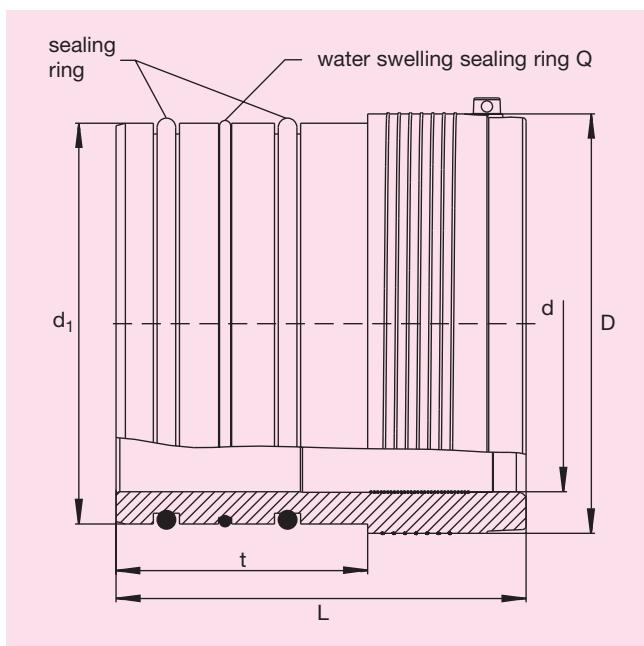


FRIAFIT®-Sewage Insert Sleeve AEM

for jointing HDPE pipes to concrete inspection chambers in conjunction with FRIAFIT®-Inspection Chamber Adapters (ASF/ASFL), for HDPE pipes SDR 33 – SDR 11 PE 100

Maximum testing pressure 0,5 bar (according to DIN EN 1610)



d	Order-Ref.	Stock-status	VE	PE	D	d ₁	L	t	Weight kg/each
110	T-680 201	1	8	144	133	131	165	135	0.700
160	T-680 202	1	8	64	193	187	220	135	1.750
180	T-680 203	1	1	54	225	215	220	135	2.600
200	T-680 204	1	1	32	250	247	220	135	3.640
225	T-680 205	1	1	32	280	277	220	135	4.550
250	T-680 206	1	1	32	280	277	220	135	2.600
280	T-680 207	1	1	24	315	313	220	135	3.500
315	T-680 208	1	1	24	355	354	220	135	4.500
355	T-680 209	1	1	20	400	399	220	135	5.800
400	T-680 210	1	1	16	450	449	220	135	7.500
450	T-680 211	1	1	8	500	499	220	135	8.100
560	T-680 212	1	1	4	630	624	220	135	13.400

From d 560 with pre-heating barcode for compensation of a larger annular gap.

Please turn over for important information regarding **FRIAFIT®-Sewage Insert Sleeve AEM**



FRIAFIT®-Sewage Insert Sleeve AEM

for jointing HDPE pipes to concrete inspection chambers in conjunction with FRIAFIT®-Inspection Chamber Adapters (ASF/ASFL), for HDPE pipes SDR 33 – SDR 11 PE 100

Maximum testing pressure 0,5 bar (according to DIN EN 1610)

Sewage pipe systems represent high quality economical assets, and we need to maintain their value long term.

Sewerage systems need to meet ever increasing demands and require raw materials which fulfill these conditions. For some years now the FRIAFIT®-Sewage System made from HDPE has connected HDPE sewer pipes, leakproof longitudinal strong and root-bound with the aid of FRIAFIT® fusion technology.

Areas of Application

The FRIAFIT®-Sewage Insert Sleeve AEM is applied for the connection of HDPE pipes into concrete inspection chambers according to DIN 4034 in connection with FRIAFIT®-Sewage Inspection Chamber Adapter ASF/ASFL.

Assembly Instructions

The AEM is pushed into the ASF Sewage Inspection Chamber Adapter ASF until it connects with the gutter, resp. to the stop (ASFL).

Fusion of pipe ends with FRIAFIT® AEM Sewage Insert Sleeve takes place using FRIAFIT® fusion – leakproof and longitudinally strong.

The HDPE pipe is prepared according to the general installation requirements (see also “Fitting Instructions” for the FRIAFIT®-Sewage System). This involves removing the oxide layer and cleaning the pipe ends. It is then slid into the AEM; length of insertion = L or transition to the gutter.

To compensate a larger annular gap (> 1 mm, max. 3 mm) between coupler and pipe, the pre-heating barcode can be used from d 560 (see instructions packed up with the coupler).

For further information, please call our FRIALEN®- and FRIAFIT®-customer service and specialist personnel.

FRIATEC Aktiengesellschaft · Technical Plastics Division
P.O.B. 71 02 61 · D-68222 Mannheim
Telephone +49 621 486-0 · Telefax +49 621 479196
www.friatec.de · E-Mail: info-frialen@friatec.de

Seven good reasons for using the FRIAFIT®-Sewage Insert Sleeve AEM

- **Jointing part at the inspection chamber in conjunction with FRIAFIT®-Inspection Chamber Adapter (ASF/ASFL)**
- **An elastomeric sealing in duplicate allows optimum anchoring to the FRIAFIT®-Inspection Chamber Adapter (ASF/ASFL)**
- **Inspection chamber free from axial pipe stress due to push-fit connection**
- **Sealing rings comply with DIN EN 681, resp. DIN 4060**
- **Incl. the water swelling sealing ring Q which offers additional security**
- **Uncovered heating coil on inside of sleeve for a secure fusion of the HDPE-pipe**
- **Barcode for fully automatic fusion with HDPE pipes from SDR 33 to SDR 11 in view of the temperature of the surrounding area.**

Please find our datasheets for downloading on the internet at www.friatec.de