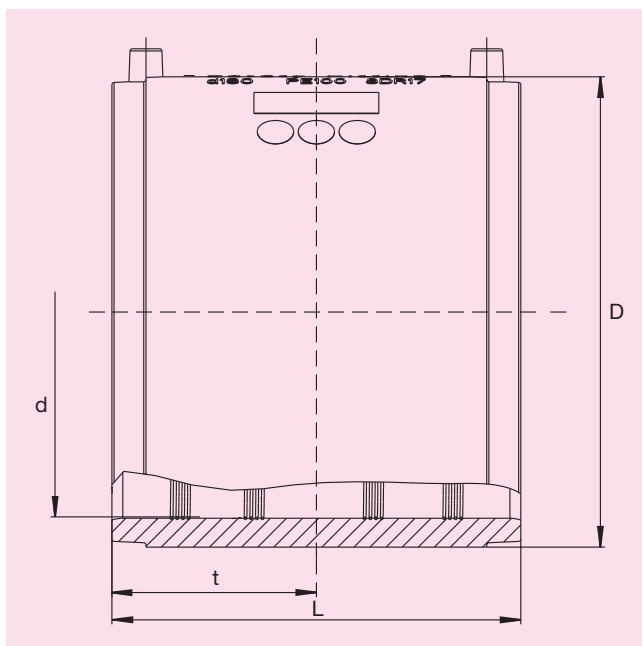


# FRIAFIT®-Coupler AM

for jointing HDPE pipes SDR 17–33 for water and sewage pipe lines

**PE 100**

Maximum working pressure 10 bar



d	Order-Ref.	Stock-status	VE	PE	D	L	t	Weight kg/each
110	T-680 001	1	24	192	130	160	80	0.600
125	T-680 013	1	22	176	146	160	80	0.620
160	T-680 002	1	12	96	184	180	90	1.100
180	T-680 003	1	8	64	207	180	90	1.700
200	T-680 004	1	1	56	229	180	90	3.200
225	T-680 005	1	4	32	254	200	100	2.000
250	T-680 006	1	1	33	282	220	110	3.100
280	T-680 007	1	1	32	316	220	110	3.700
315	T-680 008	1	1	24	355	220	110	4.900
355	T-680 009	1	1	20	400	220	110	6.100
400	T-680 010	1	1	16	450	220	110	7.850
450	T-680 011	1	1	6	506	270	135	8.400
500 <sup>①</sup>	T-680 012	1	1	4	562	270	135	14.900
560 <sup>①</sup>	T-680 018	1	1	2	630	380	190	24,800

<sup>①</sup> separate fusion zones. From d 560 with pre-heating barcode for compensation of a larger annular gap.

DVGW-Registration Nos. DV-8606BO6114 and DV-8611BO6115

Please turn over for important information regarding  
**FRIAFIT®-Coupler AM.**



# **FRIAFIT®-Coupler AM**

## **for jointing HDPE pipes SDR 17–33 for water and sewage pipe lines**

### **PE 100**

Maximum working pressure 10 bar

### **Areas of Application**

The FRIAFIT®-Coupler AM joins HDPE pipes leakproof and longitudinally strong.

Additional applications:

- Integration of adapters into existing pipe system
- Reinforcement/sealing of local pipe damage.

### **Assembly Instructions**

Fusion of pipe ends with FRIAFIT®-Coupler AM takes place using FRIAFIT® fusion – leakproof and longitudinally strong.

The HDPE pipe ends are prepared according to the general installation requirements (see also “Fitting Instructions” for the FRIAFIT®-Sewage System). This involves removing the oxide layer and cleaning the pipe ends.

To compensate a larger annular gap (> 1 mm, max. 3 mm) between coupler and pipe, the pre-heating barcode can be used from d 560 (see instructions packed up with the coupler).

### **Nine good reasons for using the FRIAFIT®-Coupler AM**

- Large coupler depth for ease of pipe guiding (no holding clamps required)
- Ensures leakproof, longitudinally strong and root-bound connections
- Exposed, tightly embedded heating coil for direct heat transmission to the pipe
- Extra wide fusion zones, extra long insertion depths
- Short fusion times, short cooling times
- Cold zones at the front side and in the middle of the coupler
- Slide-over coupler without center stop
- No coupler extension during fusion due to the outer armouring wire.
- Barcode for fully automatic fusion with HDPE pipes from SDR 33 to SDR 11 having regard to the ambient temperature (temperature compensation).

Please find our datasheets for downloading on the internet at [www.friatec.de](http://www.friatec.de)

**For further information, please call our FRIALEN®- and FRIAFIT®-customer service and specialist personnel.**

FRIATEC Aktiengesellschaft · Technical Plastics Division  
P.O.B. 71 02 61 · D-68222 Mannheim  
Telephone +49 621 486-0 · Telefax +49 621 479196  
[www.friatec.de](http://www.friatec.de) · E-Mail: [info-frialen@friatec.de](mailto:info-frialen@friatec.de)



an OAliaxis company