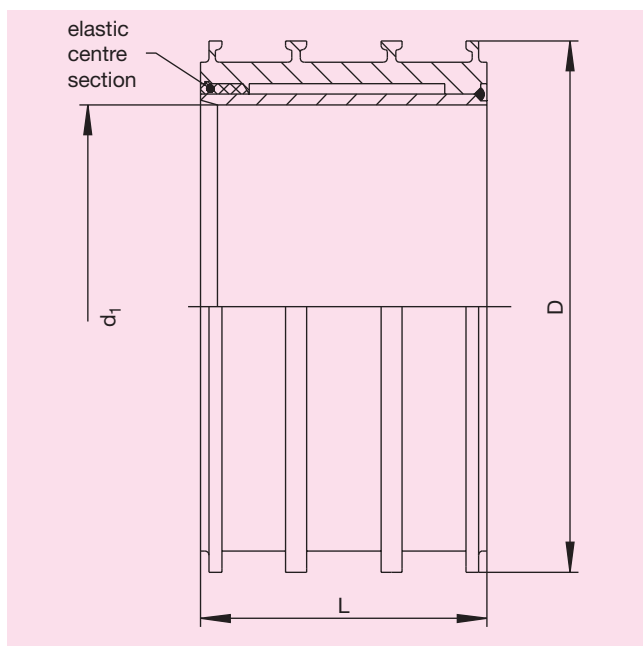


# FRIAFIT®-Sewage Inspection Chamber Adapter ASF as joining element between concrete inspection chamber and FRIAFIT®-Sewage Insert Sleeve (AEM)

**PE 100**

Maximum testing pressure 0,5 bar (according to DIN EN 1610)



d	Order-Ref.	Stock-status	VE	PE	D	d <sub>1</sub>	L	Weight kg/each
110	T-680 401	1	12	96	200	134	135	1.450
160	T-680 402	1	8	64	250	190	135	1.650
180	T-680 403	1	6	48	280	218	135	1.950
200	T-680 404	1	4	32	315	250	135	1.800
225	T-680 405	1	4	32	355	280	135	3.150
250	T-680 406	1	4	32	355	280	135	3.350
280	T-680 407	1	4	32	400	316	135	4.200
315	T-680 408	1	1	18	450	357	135	5.400
355	T-680 409	1	1	18	500	402	135	6.400
400	T-680 410	1	1	12	560	452	135	8.200
450	T-680 411	1	1	12	630	502	135	11.450
560	T-680 412	1	1	6	800	628	135	20.900

Please turn over for important information regarding  
**FRIAFIT®-Sewage Inspection Chamber Adapter ASF**

# **FRIAFIT®-Sewage Inspection Chamber Adapter ASF** as joining element between concrete inspection chamber and **FRIAFIT®-Sewage Insert Sleeve (AEM)**

## **PE 100**

Maximum testing pressure 0,5 bar (according to DIN EN 1610)

Sewage pipe systems represent high quality economical assets, and we need to maintain their value long term.

Sewerage systems need to meet ever increasing demands and require raw materials which fulfill these conditions. For many years now the FRIAFIT®-Sewage System made from HDPE has connected HDPE sewer pipes leak-proof and longitudinal strong with the aid of FRIAFIT® fusion technology.

## **Areas of Application**

The FRIAFIT®-Sewage Inspection Chamber Adapter ASF is the joining element between concrete inspection chamber according to DIN 4034 and the FRIAFIT®-Sewage Insert Sleeve.

## **Assembly Instructions**

The ASF is usually fitted in at the concrete works during manufacture of the inspection chambers. Application of the ASF is possible even on local concrete inspection chambers.

The ASF Sewage Inspection Chamber Adapter is installed according to the general installation requirements (see also "Fitting Instructions" of the FRIAFIT®-Sewage System).

## **Five good reasons for using the FRIAFIT®-Sewage Inspection Chamber Adapter ASF**

- **The ASF is a corrosion resistant HDPE construction part**
- **Anchoring ribs twisted at the rear across the entire width ensure proper and leakfree anchoring in the concrete**
- **Width of component and connection HDPE/concrete correspond to DIN 4034**
- **Elastic centre section serves to absorb stress during pipe and inspection chamber settings**
- **Application of the ASF is possible even on local concrete inspection chambers.**

Please find our datasheets for downloading on the internet at [www.friatec.de](http://www.friatec.de)

**For further information, please call our FRIALEN®- and FRIAFIT®-customer service and specialist personnel.**