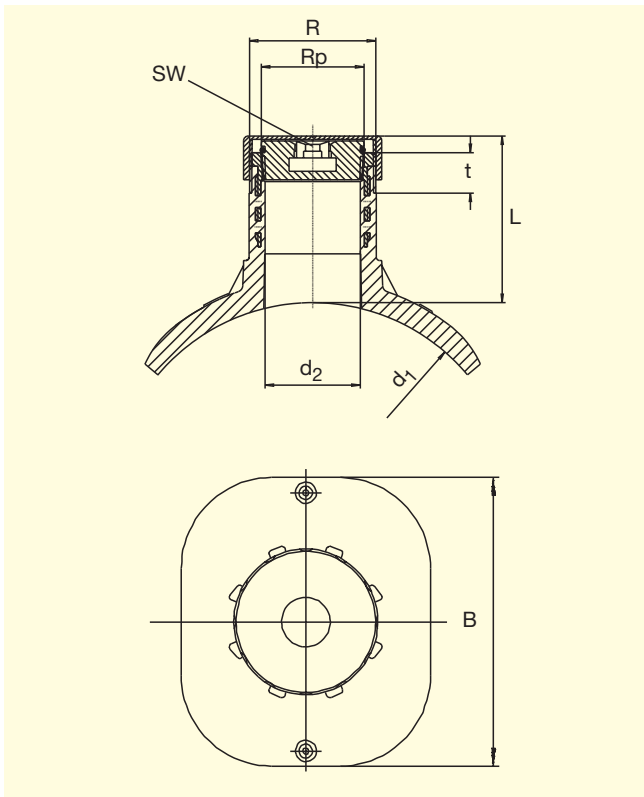


FRIALEN®-Shut off Saddle Top-Loading SPA-TL suitable for normal commercial shut off equipment

PE 100 SDR 11

Maximum working pressure 16 bar (Water) / 10 bar (Gas)



d ₁	d ₂	R	R _p	Order Ref.	Stock-status	VE	PE	B	L	t	SW	Weight kg/each
250-315 ^① (560)	56.5	G 2 1/2"	G 2"	T-615 395	1	18	144	200	110	24	19	1.358

FRIALEN®-Safety Fittings can be fused to pipes of SDR stages 11 to 17.6
DVGW-Registration No.: DV-8611AU2250

① d₁ up to d 560. Please refer to the instructions of the manufacturer of the balloon.

Please turn over for important information regarding application of the
FRIALEN®-Shut off Saddle SPA-TL



FRIALEN[®]-Shut off Saddle Top-Loading SPA-TL suitable for normal commercial shut off equipment

PE 100 SDR 11

Maximum working pressure 16 bar (Water) / 10 bar (Gas)

Areas of Application

FRIALEN[®]-Shut off Saddle SPA-TL is suitable for normal commercial shut off equipment.

Assembly Instructions

The saddle is clamped onto the pipe with the FRIATOP clamping device (see pricelist "Technical Equipment"). Please read the "Assembly and Operating Instructions for FRIATOP clamping unit (Top-Loading)".

The fusion of the HDPE mains and the FRIALEN[®]-Shut off Saddle Top-Loading takes place by FRIALEN[®]-fusing – leakproof and longitudinally strong.

The pipe and the saddle have to be prepared according to the general installation instructions (see Assembly Instructions for "FRIALEN[®]-Large Pipe Technique for laying large pipes and relining pipe networks"). This involves removing the oxide skin and cleaning the pipe covered by the saddle.

Eight good reasons for using the FRIALEN[®]-Shut off Saddle SPA-TL

- **Compact construction**
- **HDPE saddle with exposed heating element for optimal heat transfer**
- **Compact part suitable for normal commercial shut off equipment for tapping through the saddle**
- **Brass-guide thread permanently and immovable anchored in the HDPE**
- **Includes brass plug with square recess**
- **Protection against access to the dome by fusing on a FRIALEN[®] SPAK**
- **The SPA-TL can be applied universally to large HDPE pipe diameters d 250-315 (560). This means additional economy due to less material needed and less stock both with suppliers and trade**
- **Additional barcode for tracing back the underground fitting (Traceability-Coding).**

Please find our datasheets for downloading on the internet at www.frialen.de

**For further information, please call our
FRIALEN[®]-customer service staff and specialist advisers.**