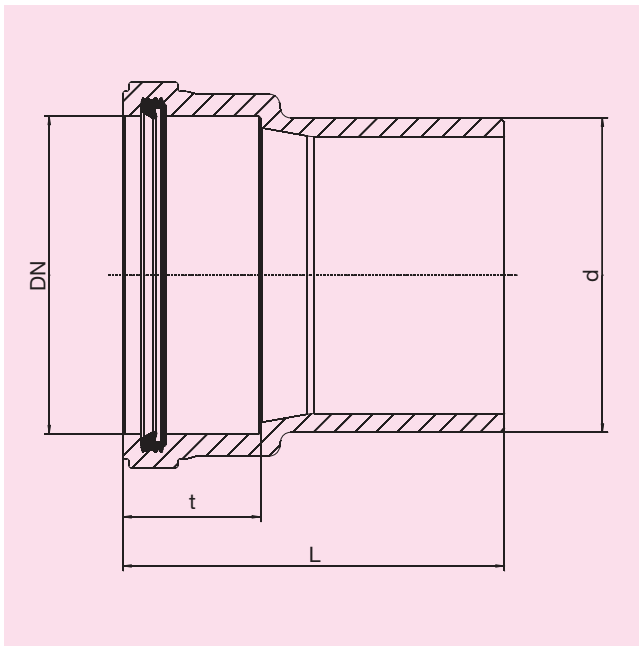


**FRIAFIT® UKG adapter**  
 for the connection of PVC/PP pipes with FRIAFIT® AM coupler  
 or FRIAFIT® ASA-TL sewage saddle,  
 for HD-PE pipes SDR 33 – SDR 17  
**PE 100**

Maximum test pressure 0.5 bar (according to DIN EN 1610)



d/DN	Order Ref.	Stock-status	VE	PE	L	t	Weight kg/each
160/150	T-682 617	1	2	64	194	70	1.070

Please turn over for important information regarding  
**FRIAFIT®**-Transition Fitting UKG.

# **FRIAFIT® UKG adapter**

## **for the connection of PVC/PP pipes with FRIAFIT® AM coupler or FRIAFIT® ASA-TL sewage saddle, for HD-PE pipes SDR 33 – SDR 17 PE 100**

Maximum test pressure 0.5 bar (according to DIN EN 1610)

Sewage pipe systems represent top quality economic goods with a value which needs to be maintained for a long time. Increasing demands made on public sewage system require materials which meet these criteria. For many years HD-PE sewage pipes have been welded using the FRIAFIT® HD-PE sewage system – tight, with axial force and perfectly rooted.

### **Areas of application**

The FRIAFIT® UKG adapter serves as a smooth connection between HD-PE pipes (wall thickness ratio from SDR 33 to SDR 17) and PVC/PP pipes in service connections.

### **Advice on processing**

Welding the spigot part of the USTZ adapter with a FRIAFIT® AM d 160 coupler or a FRIAFIT® ASA-TL sewage saddle, d 160 outlet, takes place using the FRIAFIT fusion method – tight and with axial force.

THE USTZ spigot part is prepared (remove oxidic layer/clean) according to the general installation instructions (see “installation instructions” for the FRIAFIT® sewage system).

The PVC/PP pipe is inserted into the side where the push-fit coupler sits. The push-fit coupler has a SBR lip seal gasket and a large insertion depth for safe guidance of the pipe.

### **Six good reasons for the FRIAFIT® UKG adapter**

#### Spigot part

- **Safeguards tight and perfectly rooted connection with axial force**
- **FRIAFIT® fusion for the connection of UKG with AM coupler or ASA-TL service saddle.**
- **Smooth connection between materials when using HD-PE SDR 33 – SDR 17 pipe, no deposit in the area of the joint, no flow obstruction**

#### Push-fit part

- **Safe guidance of the stoneware pipe due to large insertion depth**
- **SBR lip seal gasket according to EN 681-1**
- **Standardised connection between materials**

Please find our datasheets for downloading on the internet at [www.friatec.de](http://www.friatec.de)

**For further information, please call our FRIALEN®- and FRIAFIT®- customer service and specialist personnel.**